



15F2830

Passenger Stair



Building Quality Ground Support Products Since 1961

- Operation Height: 134" - 223"
- Platform size: 76" x 50"
- Step width: 48"
- Galvanized steps and platform
- Swivel platform bumper adjusts +/- 5 deg.
- Adjustable platform height using hand pump
- Modesty panels on all steps and platform handrails
- Battery powered LED lighting system with adjustable timer
- Onboard battery charger
- Battery level indicator
- Stabilizer jacks
- Sliding handrails to clear aircraft door
- Non-marring soft rubber bumpers

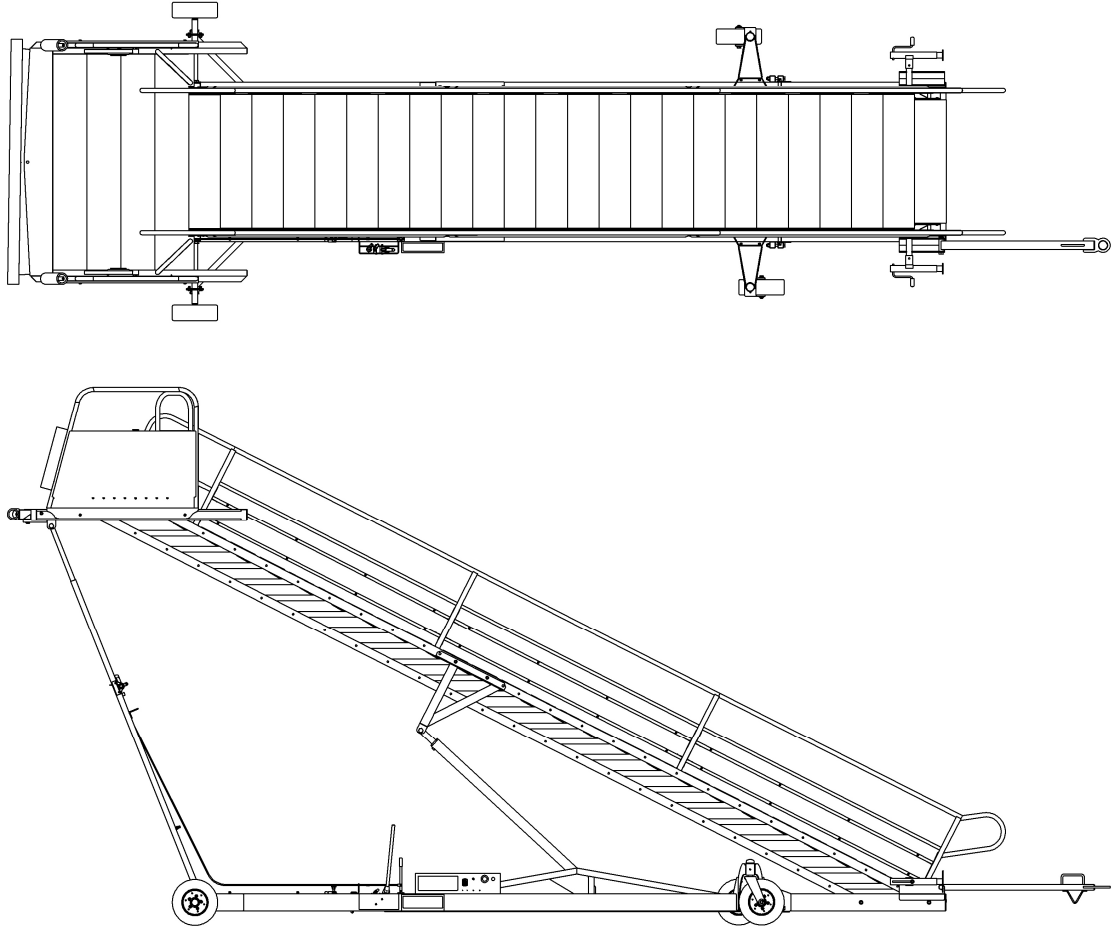
CLYDE

Clyde Machines
P.O. Box 194
1150 Hwy 55 N.
Glenwood, MN 56334 USA
(320) 634-4504
(320) 634-4506 Fax

www.clydemachines.com

15F2830

Passenger Stair



Services Aircraft: A300,A320,A321,A310,A330,A340, A350, A380(Main Cabin Only),
B747,B757,B767,B777,B787,MD11,MD10,L1011

- Services various passenger door sill heights, 134" to 223"
- Platform capacity, 1000lbs. / Full stairway capacity, 3500 lbs.
- "group 24" deep cycle battery
- Equipped with towbar - folding with 3" dia. Eye
- Epoxy powder coated per customer color
- Shipping Dimensions
 - Base length - 268"
 - Overall length - 403"
 - Width: No Tires - 96"
 - Height: No Tires - 98.5"
 - Weight: 4,500 lbs

CLYDE

Clyde Machines
P.O. Box 194
1150 Hwy 55 N.
Glenwood, MN 56334 USA
(320) 634-4504
(320) 634-4506 Fax

www.clydemachines.com